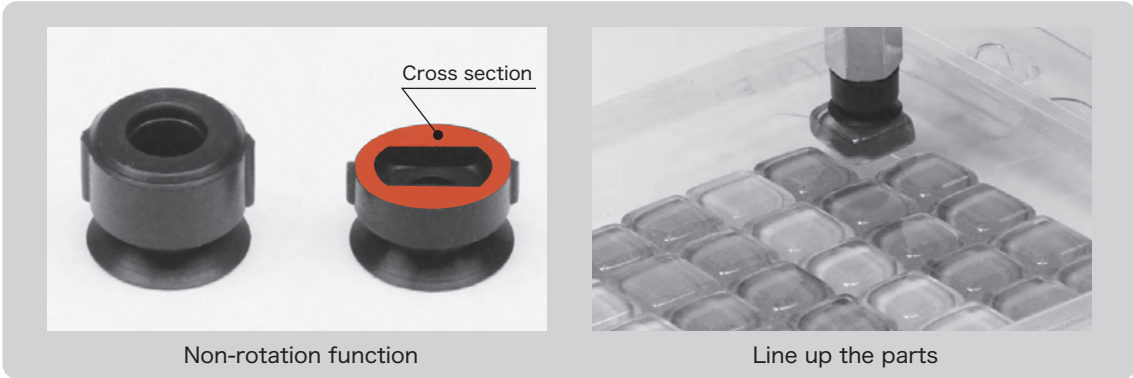


Non-rotation Cup



Cup with structure preventing rotation of attachment portion.
 For workpieces with smooth and pliable surfaces,
 and workpieces that resist rotation of cup !



Specializing in small size.


- φ6
- φ8
- φ10

Suction Cup Non-rotation Cup



02 Suction Cup

- PA
- PB
- PC
- PCD
- PD
- PF
- PFO
- PH
- PJ
- CORE
- PK2
- PK2B
- PK2L
- PL
- PN
- PN-B
- PP
- PQ
- PR
- PU
- PW
- RA
- SM
- TN

Suction Cup

 <p>PQG</p>	<p>Cup size (mm) φ 6 ~ 10</p>		<p>P.443</p>
--	-----------------------------------	--	--------------

Fitting

Type	Applicable cup size (mm)	Stroke (mm)	Vacuum port	Piping · Connector	Page
<p>Cup with non-rotation spring fitting NAPQTH</p> 	<p>φ 6 ~ 10</p>	<p>3, 10, 15</p>	<p>Top</p>	<p>Female screw Push-in Barb</p>	<p>P.445</p>
<p>Cup with non-rotation spring fitting NAPQYH</p> 	<p>φ 6 ~ 10</p>	<p>3, 10, 15</p>	<p>Side</p>	<p>Female screw Push-in Barb</p>	<p>P.445</p>

Suction Cup Selection Guide → P.163

Suction Cup
Non-rotation Cup

02
Suction Cup

- PA
- PB
- PC
- PCD
- PD
- PF
- PFO
- PH
- PJ
- CORE
- PK2
- PK2B
- PK2L
- PL
- PN
- PN-B
- PP
- PQ**
- PR
- PU
- PW
- RA
- SM
- TN

PQG Non-rotation Cup

How to Order

PQG - 6 - N



① Cup Size (mm)

Symbol	Cup size
6	φ6
8	φ8
10	φ10

② Cup Rubber Material

Symbol	Material
N	NBR (Nitrile rubber)
S	Silicone rubber
U	Urethane rubber
F	Fluorine rubber
NE	Conductive NBR (Nitrile rubber)
SE	Conductive silicone rubber

※ Please consult with us for other material.

Cup Rubber Material Standard Specifications

Symbol	Material	Hardness (A/s)	Ambient temperature (°C)	Color	Volume resistivity ^{Note1,2}
N	NBR (Nitrile rubber)	55	-26 ~ 120	Black	-
S	Silicone rubber	55	-60 ~ 250	Translucent white	-
U	Urethane rubber	55	-20 ~ 75	Blue	-
F	Fluorine rubber	70	-10 ~ 230	Black with white dot	-
NE	Conductive NBR (Nitrile rubber)	70	-26 ~ 120	Black with blue dot	10 ² ~ 10 ³ Ω · cm
SE	Conductive silicone rubber	55	-60 ~ 250	Black with red dot	10 ² ~ 10 ⁴ Ω · cm

Note1) Volume resistivity shows conductivity, resistance value is per cm³.

Note2) It is the measured value of in our designated test piece.

Applicable Rubber Material Table

Material	Color	Symbol	Round type		
			6	8	10
NBR(Nitrile rubber)	Black	N	●	●	●
Silicone rubber	Translucent white	S	●	●	●
Urethane rubber	Blue	U	●	●	●
Fluorine rubber	Black with white dot	F	●	●	●
Conductive NBR (Nitrile rubber)	Black with blue dot	NE	●	●	●
Conductive silicone rubber	Black with red dot	SE	●	●	●

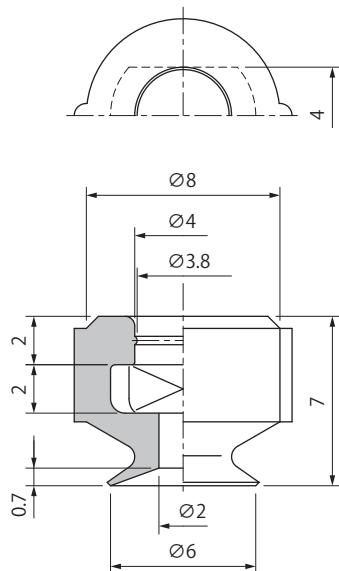
● : In stock ○ Made to order × : None

※Please consult with us for other material.

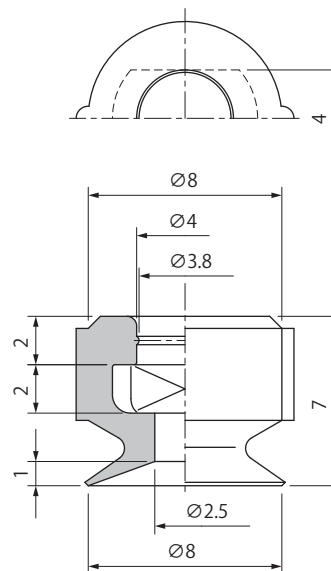
Dimensions

(mm)

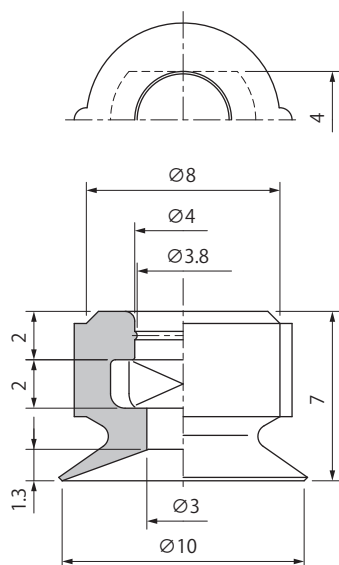
PQG-6



PQG-8



PQG-10



Weight

(g)

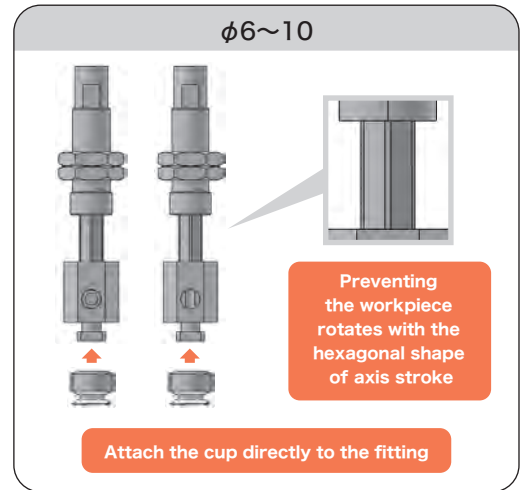
Model \ Material	N	S	U	F	NE	SE
PQG-6	0.3	0.3	0.3	0.4	0.3	0.3
PQG-8	0.3	0.3	0.3	0.4	0.3	0.3
PQG-10	0.3	0.3	0.3	0.5	0.3	0.3

Symbol	Material
N	NBR(Nitrile rubber)
S	Silicone rubber
U	Urethane rubber
F	Fluorine rubber
NE	Conductive NBR (Nitrile rubber)
SE	Conductive silicone rubber

NAPQTH·YH Cup with Non-rotation Spring Fitting



Consisting of fitting and suction cup.



How to Order

NAPQ **T** H - **6-3** - **N** - **T**

① Vacuum Port ② Cup Size · Stroke (mm) ③ Cup Rubber Material ④ Connector

Symbol	Port
T	Top
Y	Side

Symbol	Cup size	Stroke	Symbol	Cup size	Stroke
6-3	φ6-3		10-3	φ10-3	
6-10	φ6-10		10-10	φ10-10	
6-15	φ6-15		10-15	φ10-15	
8-3	φ8-3				
8-10	φ8-10				
8-15	φ8-15				

Symbol	Material
N	NBR(Nitrile rubber)
S	Silicone rubber
U	Urethane rubber
F	Fluorine rubber
NE	Conductive NBR (Nitrile rubber)
SE	Conductive silicone rubber

Blank	Connector
T	Barb
O	Push-in

※ Please consult with us for other material.

Spring Specifications

Cup size	Unit	φ6~10		
Stroke	mm	3	10	15
Spring load at 0 stroke	N	0.61		0.64
Spring load at full stroke	N	0.77	1.17	

Combination Table

Model number	Cup	Setting screw	Fitting	Piping specifications		
				Without connector·blank	Barb connector·T	Push-in connector·O
NAPQ○H-6-3-□ (-T/O)	PQG-6-□	Attach the cup directly to the fitting	NAPQ○H-6-3-K (-T/O)	M5X0.8 (Female)	φ6 X 4	
NAPQ○H-6-10-□ (-T/O)			NAPQ○H-6-10-K (-T/O)			
NAPQ○H-6-15-□ (-T/O)			NAPQ○H-6-15-K (-T/O)			
NAPQ○H-8-3-□ (-T/O)	PQG-8-□		NAPQ○H-6-3-K (-T/O)			
NAPQ○H-8-10-□ (-T/O)			NAPQ○H-6-10-K (-T/O)			
NAPQ○H-8-15-□ (-T/O)			NAPQ○H-6-15-K (-T/O)			
NAPQ○H-10-3-□ (-T/O)	PQG-10-□		NAPQ○H-6-3-K (-T/O)			
NAPQ○H-10-10-□ (-T/O)			NAPQ○H-6-10-K (-T/O)			
NAPQ○H-10-15-□ (-T/O)			NAPQ○H-6-15-K (-T/O)			

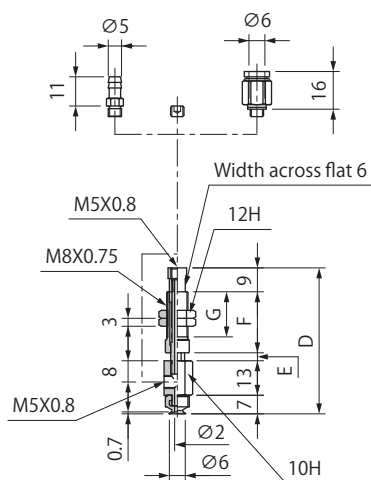
※□ in the table indicates the cup material.

※○ in the table indicates the vacuum port (T or Y).

Dimensions

(mm)

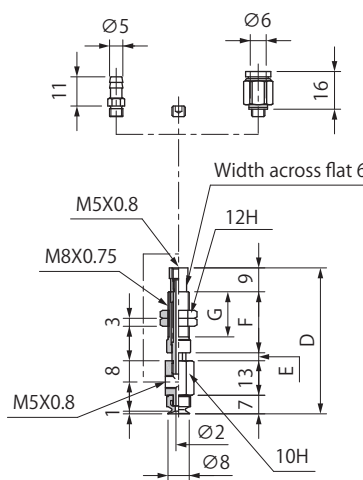
NAPQT/YH-6



Model number	D	E	F	G	Weight (g)
NAPQT/YH-6-3-□ (-T/O)	55	3	23	17	18.5
NAPQT/YH-6-10-□ (-T/O)	62	10			19
NAPQT/YH-6-15-□ (-T/O)	74.5	15	30.5	24.5	22

※□ in the table indicates the cup material.
 ※ The weight value is when NBR (Nitrile rubber) / without connector selected.

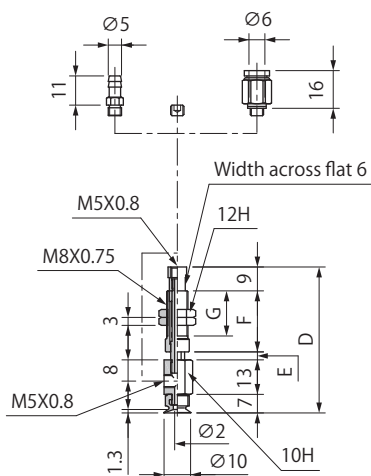
NAPQT/YH-8



Model number	D	E	F	G	Weight (g)
NAPQT/YH-8-3-□ (-T/O)	55	3	23	17	18.5
NAPQT/YH-8-10-□ (-T/O)	62	10			19
NAPQT/YH-8-15-□ (-T/O)	74.5	15	30.5	24.5	22

※□ in the table indicates the cup material.
 ※ The weight value is when NBR (Nitrile rubber) / without connector selected.

NAPQT/YH-10



Model number	D	E	F	G	Weight (g)
NAPQT/YH-10-3-□ (-T/O)	55	3	23	17	18.5
NAPQT/YH-10-10-□ (-T/O)	62	10			19
NAPQT/YH-10-15-□ (-T/O)	74.5	15	30.5	24.5	22

※□ in the table indicates the cup material.
 ※ The weight value is when NBR (Nitrile rubber) / without connector selected.

Common Specifications

Connector Weight(g)

Symbol	Tube O.D $\phi 6$
T	1.5
O	4.0