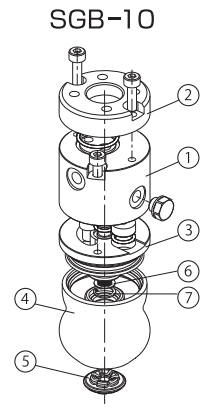
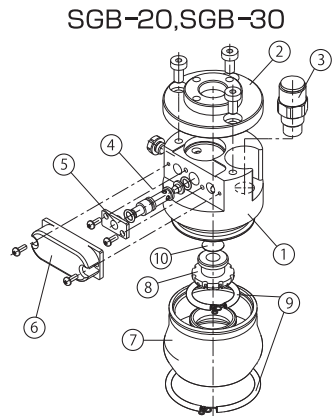


## Internal structure

No.	部品	材質	その他
①	Body	A L	Anodizing treatment
②	Adaper	A L	Anodizing treatment
③	Suction cup fixture fitting	A L	Anodizing treatment
④	Rubber film	Si, NBR	
⑤	Core rubber	Si	
⑥	Filter	SUS	
⑦	Snap ring	Fe	
-	Nozzle kit	A L · NBR	
-	Screw	SUS	
-	Plug	Brass	Nickel
-	O-ring	NBR	



No.	Part name	Material	Other
①	Body	A L	Anodizing treatment
②	Adapter	A L	Anodizing treatment
③	Relief valve	SUS/FKM	No treatment
④	Nozzle kit	A L · NBR	No treatment
⑤	Nozzle end	A L	No treatment
⑥	Exhaust cover	A L	Anodizing treatment
⑦	Rubber film	Si, NBR	
⑧	Cushion rubber	Si	
⑨	Spring band	SUS	
⑩	Filter mesh	SUS	#60
-	Plug	Brass	Nickel
-	Screw, Hard ball	SUS/Fe	
-	O-ring	NBR	



## How to order

**SGB - 30 - S4** Note) 1 spare rubber film is attached.

① Rubber film inner diameter    ② Rubber material

①	②
10    φ10	S4    Silicone rubber
20    φ20	N4    NBR
30    φ30	SM    Metal containing silicone rubber

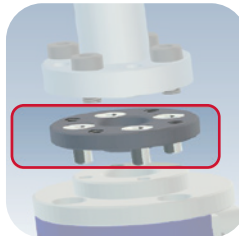
## Maintenance parts

Rubber only (All type) **SGBG - 10/20/30 - S4/N4/SM**    Spring band (for SGB-20/30) **SGB - SB - 20/30**

Cushion rubber (With filter mesh) (for SGB-20/30) **SGB - CR - 20/30**    Robot hand kit compatible parts (for SGB-10/20) **SGB - FB** Note)

Core rubber (for SGB-10) **SGB - CORE - 10**    Note) FB is flange base for mounting SGB-10/20 to robot hand kit and CRK series flange.

Filter (for SGB-10) **SGB - F - 10**



SGB-FB

## Specifications

Item	Unit	Specification		
Cup inner diameter	-	10	20	30
Fluid	-	Oil-free compressed air		
Operating ambient temperature	°C	0~50(Without frozen)		
Operating pressure range	MPa	0.1~0.4		
Vacuum performance	Rated pressure	MPa 0.35		
	Nozzle diameter	mm	0.5	0.7
	Vacuum pressure	kPa	-87	
	Air consumption	L/min	15	26
Exhausted air sound volume	dB	65	70	
Mass	Band	g	67	160
	Rubber film only	g	4	10
Relief valve pressure Note1)	kPa	3		
Lifting force Note2)	N	5.7	16.8	43.3
Dimension for mounting parts	-	P.C.D20(M4) Recommended torque : 1.5N · m		P.C.D25 (M4) Recommended torque : 1.5N · m

## Rubber film specifications

Mark	Material	Hardness (A/S)	Ambient temperature range	Color
S4	Silicone rubber	40	-60~250°C	Translucent light blue
N4	Nitrile rubber	40	-27~120°C	Black
SM	Metal containing silicone rubber	55	-60~250°C	Grey

Note) SM is material that reacts with metal detector.

Note1) There is no relief valve in SGB-10.

Note2) The lifting force values in the table are effective for handling a flat type workpiece at -60kPa vacuum pressure.(Without safety factor.)

# BALLOON HAND

# SGB series

NEW

Wide range of workpieces

CONVUM built-in

ECO

New lineup  
φ10



**NEW** BALLOON HAND

# SGB series



Wide range of workpieces

**New structure hand(BALLOON HAND) to pick up workpiece which could not be grabbed before.**

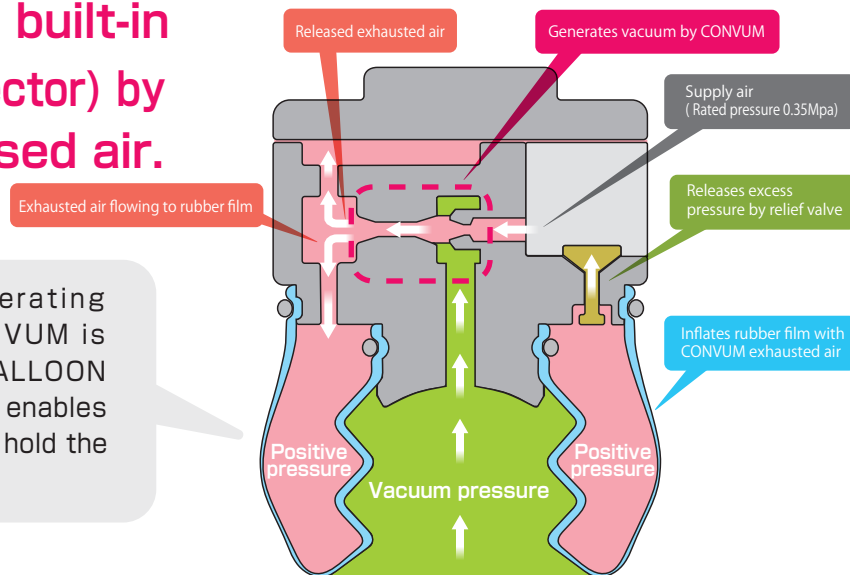
Suitable for handling a wide range of workpiece shapes and sizes by one hand.



CONVUM built-in

**Easy operation with built-in CONVUM(Vacuum ejector) by supplying compressed air.**

Compressed air generating vacuum through CONVUM is exhausted into the BALLOON HAND and inflates it. It enables the BALLOON HAND to hold the workpiece firmly.

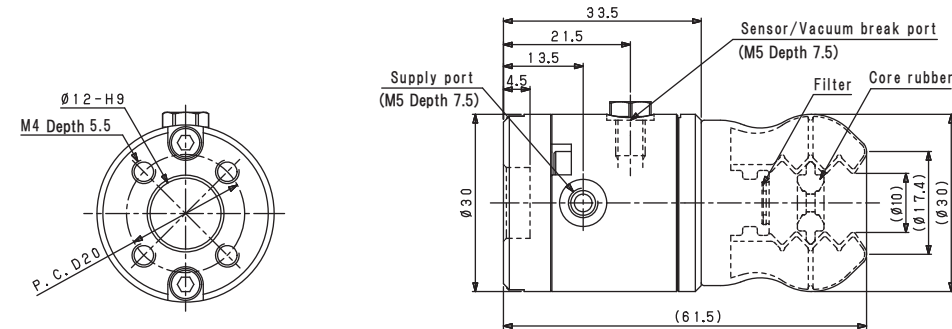


ECO

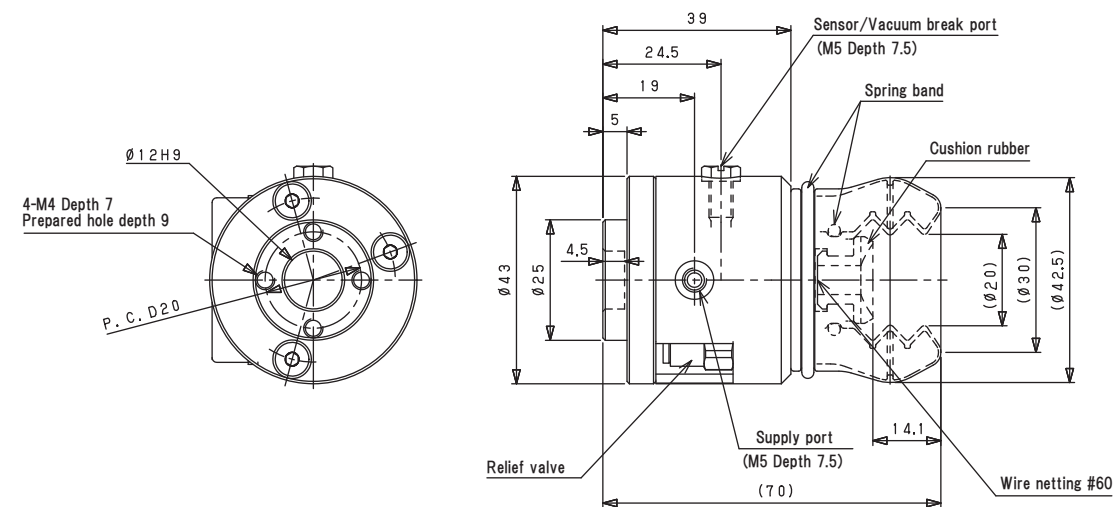
**Exhausted air goes into the rubber film and inflates like balloon. No air is wasted by using the exhausted air of CONVUM in this way.**

## Dimension

### SGB-10-##



### SGB-20-##



### SGB-30-##

